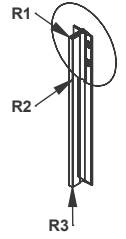
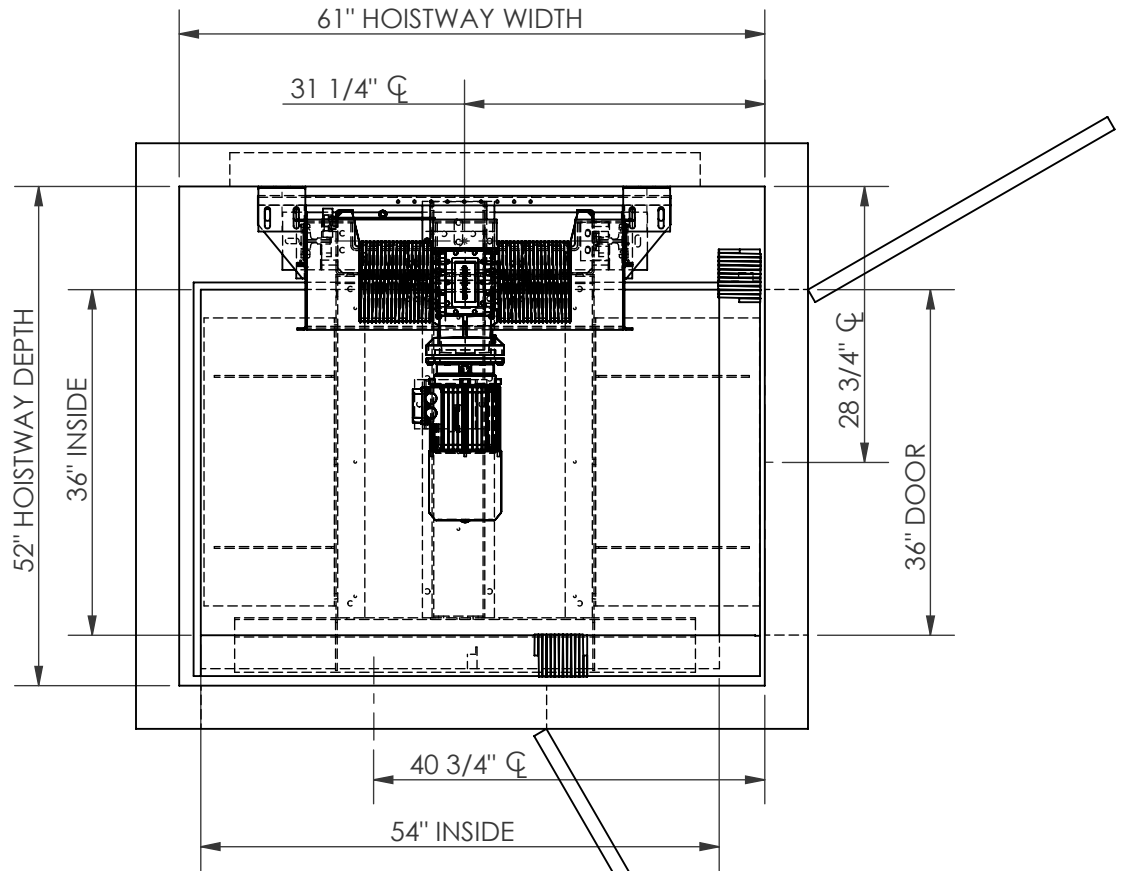
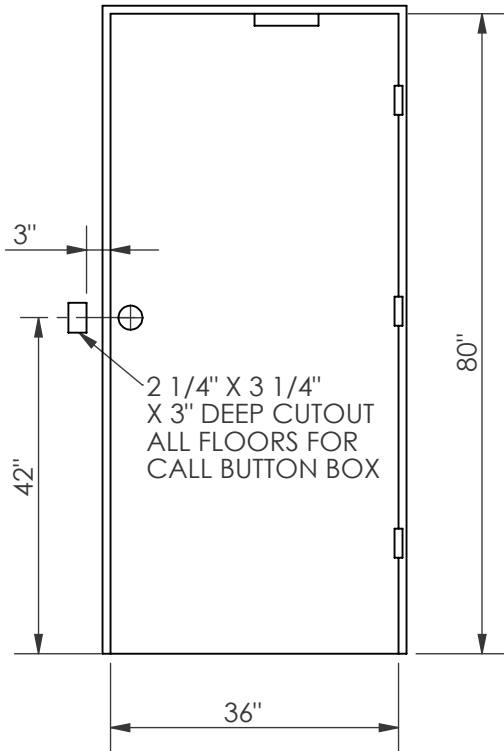
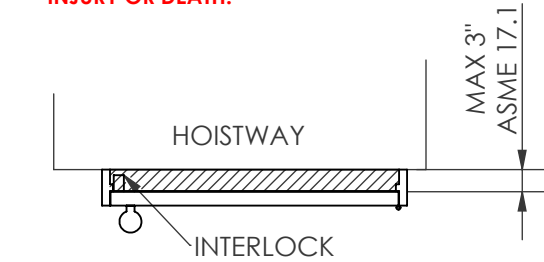


!WARNING!

SPACE BETWEEN DOOR AND HOISTWAY MUST NOT EXCEED 3"

INTERLOCKS CONFORMING TO ASME A17.1 MUST BE INSTALLED AND ADJUSTED PER THE MANUFACTURER'S INSTRUCTIONS.

!FAILURE TO COMPLY MAY RESULT IN SERIOUS INJURY OR DEATH!



RAIL WEIGHT: 8 lbs/ft

RAIL FORCES

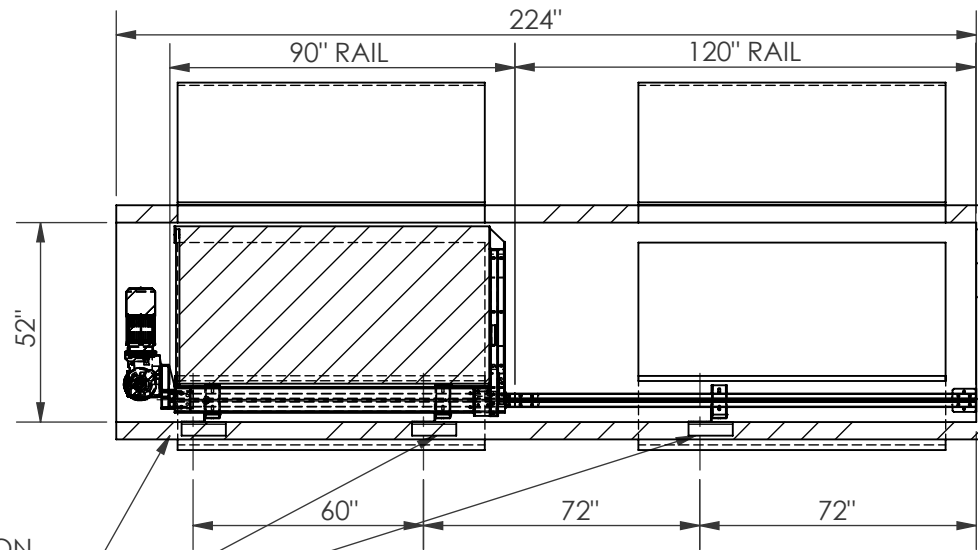
*R1(Fx) 1075 lbs

*R2(Fy) 358 lbs

R3(Fz) 2500 lbs

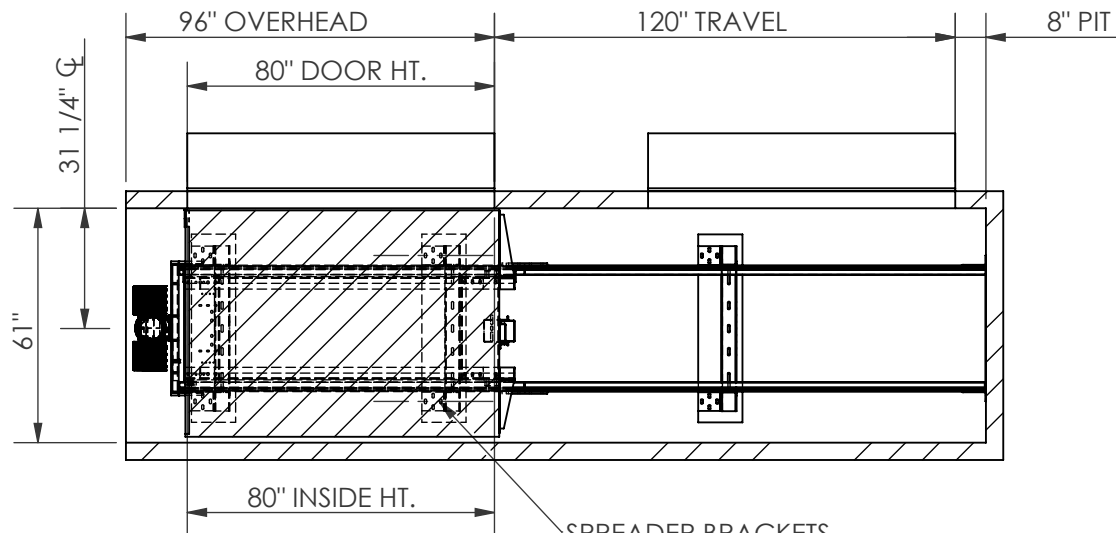
SIZE **A**  **Nationwide Lifts**
America's *leader* in home elevators.

PART NO.
36 X 54, TYPE 3
SHEET 1 OF 3
DESCRIPTION:
SWING DOORS, OVERHEAD DRUM



PROVIDE WALL CONSTRUCTION SUITABLE FOR ATTACHMENT OF RAIL BRACKETS AT SHOWN ELEVATION. MUST BE CAPABLE OF 300LB PULLOUT LOADING WITH MAX DEFLECTION OF 1/8".

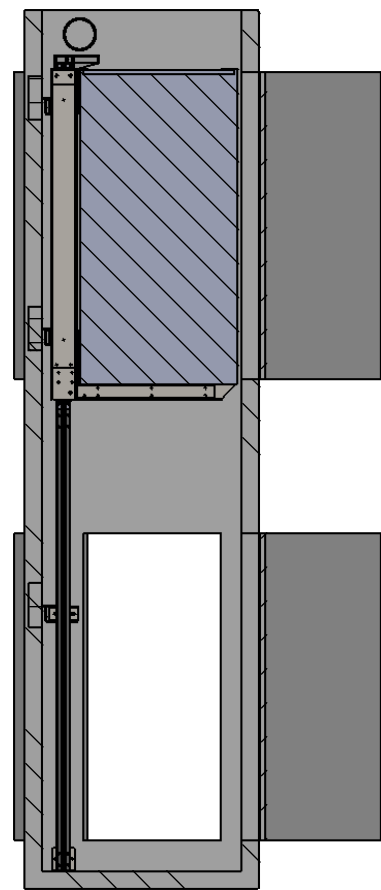
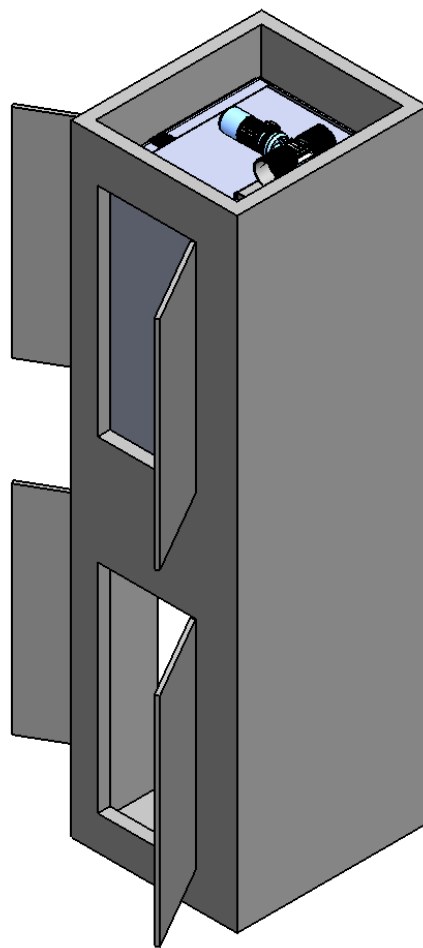
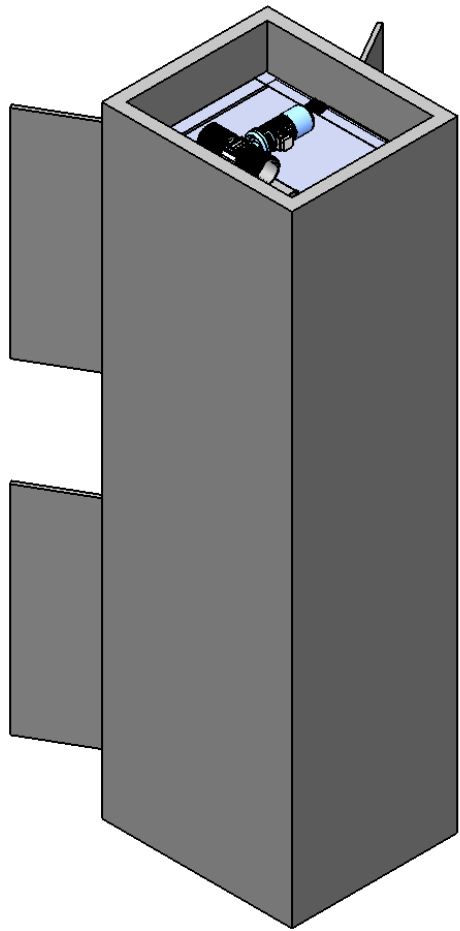
BRACKET LOCATIONS MAY VARY ACORDING TO TRAVEL



SPREADER BRACKETS FASTEN WITH LAG SCREWS 2 PLACES PER SIDE BRACKET

SIZE **A** 
 America's *leader* in home elevators.

PART NO.
36 X 54, TYPE 3
 SHEET 2 OF 3
 DESCRIPTION:
 SWING DOORS, OVERHEAD DRUM



5




4

3

2

1

SIZE A	 Nationwide Lifts <i>America's leader in home elevators.</i>
PART NO. 36 X 54, TYPE 3	
SHEET 3 OF 3	
DESCRIPTION: SWING DOORS, OVERHEAD DRUM	